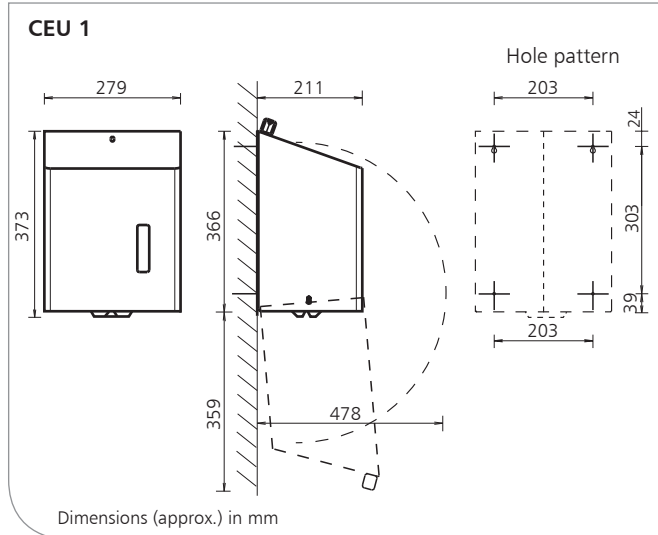


## CEU 1

Paper towel dispenser for paper rolls with centre-pull, stainless steel (AFP) or powder-coated



### Product characteristics

- ▶ Dispenser for paper rolls with centre-pull system
- ▶ Free choice of the filler products
- ▶ Housing with sloping lid to prevent foreign objects being placed on the dispenser
- ▶ High-quality and robust stainless steel housing
- ▶ Plastic lock with anti-vandalism function
- ▶ Dispensing aperture with tear-off slot on the bottom side
- ▶ Easily filled from above
- ▶ Viewing window for monitoring filling level
- ▶ Incl. mounting kit for four-point wall mounting

### Interesting information

- References:
- ▶ Conference centres, exhibitions, airports, train stations, catering and hotels, retirement/care homes, hospitals, laboratories, commercial kitchen, food processing, industry, shopping centres, schools, kindergartens, sports centres, administration facilities

### Application examples:

- ▶ Kitchens, washrooms, toilets, baths, care and examination rooms

### Technical data

- Housing: Stainless steel AISI 304, brushed with Anti-Fingerprint Coating (AFP) or powder-coated white (RAL 9010)
- Viewing window: Transparent plastic
- Filler materials: For paper rolls with centre-pull, max. diameter 200 mm, max. height 280 mm
- Lock: Anti-vandalism lock, plastic
- Wall mounting: Wall mounting with 4 screws and wall plugs

Description for tender - see overleaf

CEU 1/0816/1.0



Subject to technical modifications.  
Tests are required before new filling materials are used!



OPHARDT Hygiene-Technik GmbH + Co. KG  
Lindenau 27 | 47661 Issum | Germany  
Tel.: +49 2835 18-10 | Fax: +49 2835 18-77  
www.ophardt.com | E-Mail: planer@ophardt.com

# CEU 1

Paper towel dispenser for paper rolls with centre-pull, stainless steel (AFP) or powder-coated

## Description for tender

... Pcs. **SanTRAL® CEU 1 E** **Art. No. 745600**  
Dispenser for paper rolls with centre-pull, up to Ø200 mm, 250 mm wide, **brushed stainless steel housing with Ophardt hygiene Anti-Fingerprint Coating (AFP)**, stainless steel back plate, stainless steel paper withdrawal, special lock with anti-vandalism function, viewing window, free choice of manufacturers for refill materials,  
housing with sloped lid to prevent foreign objects being placed on the dispenser  
Dimensions (W x H x D) 279 x 373 x 211 mm

... Pcs. **SanTRAL® CEU 1 P** **Art. No. 745700**  
Dispenser for paper rolls with centre-pull, up to approx. Ø 200 mm, 250 mm wide, **white (RAL 9010) powder-coated stainless steel housing stainless steel back plate**, stainless steel paper withdrawal, special lock with anti-vandalism function, viewing window, free choice of manufacturers for refill materials,  
housing with sloped lid to prevent foreign objects being placed on the dispenser  
Dimensions (W x H x D) 279 x 373 x 211 mm

Product: **SanTRAL®**  
Manufacturer: OPHARDT HYGIENE-TECHNIK GmbH + Co. KG